



HUZHOU ECO LIGHTING TECHNOLOGY CO., LTD.
湖州意科照明科技有限公司

ADD: Building 44, DongYuan Intelligent Industrial Park
No.199 XinAn Road, WuXing District, Huzhou City, Zhejiang Province, China.
中国浙江省湖州市吴兴区欣安路199号东源智能产业园44号楼
TEL: 0086 0572 2966870
E-mail: info@ecolumitech.com
www.ecolumitech.com

FUTURE

The earth needs the protection of everyone.
We are committed to energy conservation and
emission reduction, and build a better home.
Now the "future" is coming.
地球需要每个人的保护；
我们致力节能减排，共建美好家园；
现在“未来”已来。



RSS2-KS

RSS2-S

RSS2-M

RSS2-L

RSS2-L-H

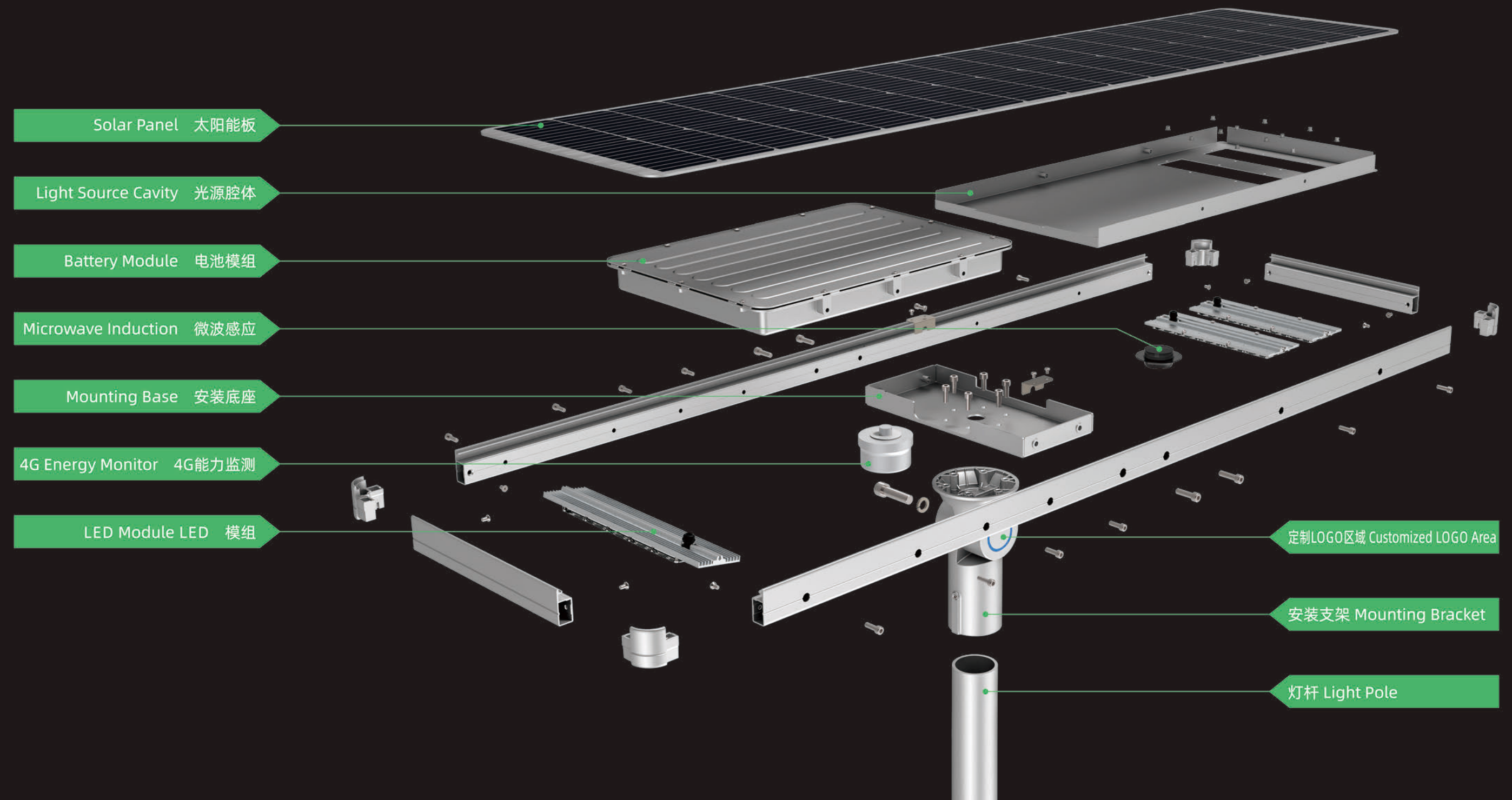
RSS2-M-H

RSS2-S-H

RSS2-KS-H

1. Luminaire adopt intergrated structure design, which easy for installation. Appearance no screws visible, More simple and fashion.
2. With LUXEON 5050 LEDs, Whole luminaire's light efficiency more than 180lm/w. Using 6063-T6 Aeronautical aluminium material, higher heat dissipation and strength performance which ensures longer lifespan.
3. Using Monocrystalline silicon solar panel, the transfer efficiency highest to 22%, lifespan up to 25 years.
4. Using CLASS A level LiFePO4 battery, with high consistency and high battery capacity, ensures lifespan more than 5 years.
5. Using advance MPPT controller, ensures high quality solar energy transfer efficiency to reduce the waste.
6. Support various functions: Sectional Timing dimmable, Microwave induction, 4G status monitoring, Camera, Mobile APP control etc.

1. 灯具采用一体化设计，安装方便；
2. 光源采用LUXEON 5050 LED，整灯光效 $\geq 180\text{lm/W}$ 。采用6063-T6航空铝材料，高散热高强度，从而保障超长使用寿命；
3. 采用单晶太阳能板，转换效率高达22%，寿命高达25年；
4. 采用A级磷酸铁锂电芯，具备超高一致性，容量充足，使用寿命5年以上；
5. 采用先进MPPT控制器，保障最优质的太阳能转换效率降低损耗；
6. 可支持多种功能：分段定时调光、微波感应、4G状态监测、摄像头、手机APP操控等。



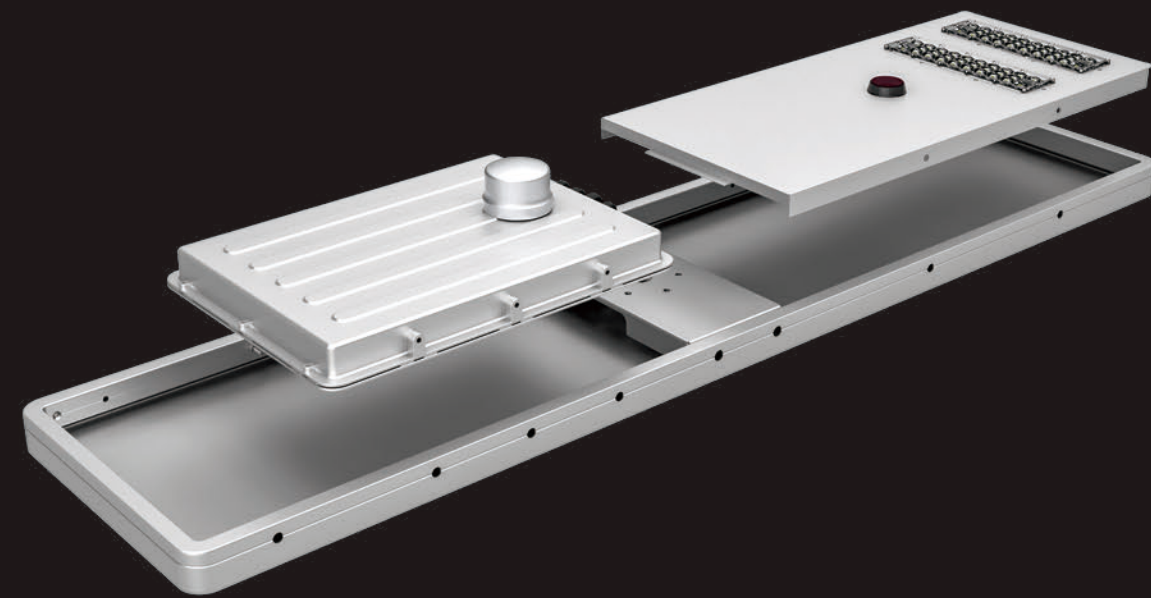


外观无螺钉设计，简约时尚。

Appearance no screws visible, More simple and fashion.

电池与控制器安装一体化设计，所有配件出线均采用公母头连接，拆装便捷。

Battery and Controller built in together, all accessories connected by Male & Female head cables, super easy for connection.



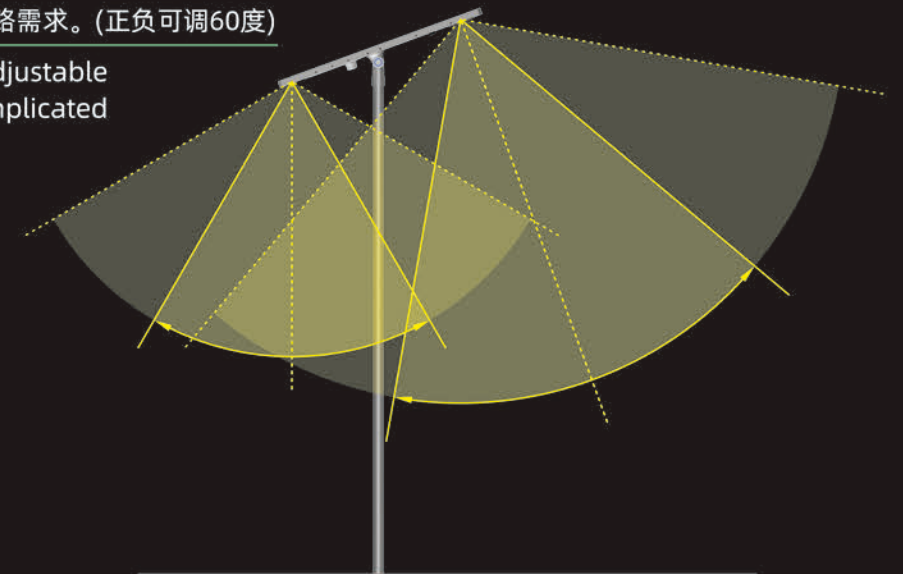
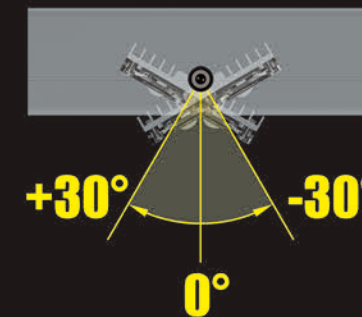
独特双腔式设计(电池模组和灯体分离), 电池模组IP67级防水, 如有故障可以作为一个整体进行更换。

Special individual body design (Battery box and luminaires separate), meet Ip67 waterproof conditions, it can be replaced as a complete parts if failures.



光源支持角度调节，适配复杂道路需求。(正负可调60度)

The light resource can be adjustable in any angle, suitable for complicated road requirements.

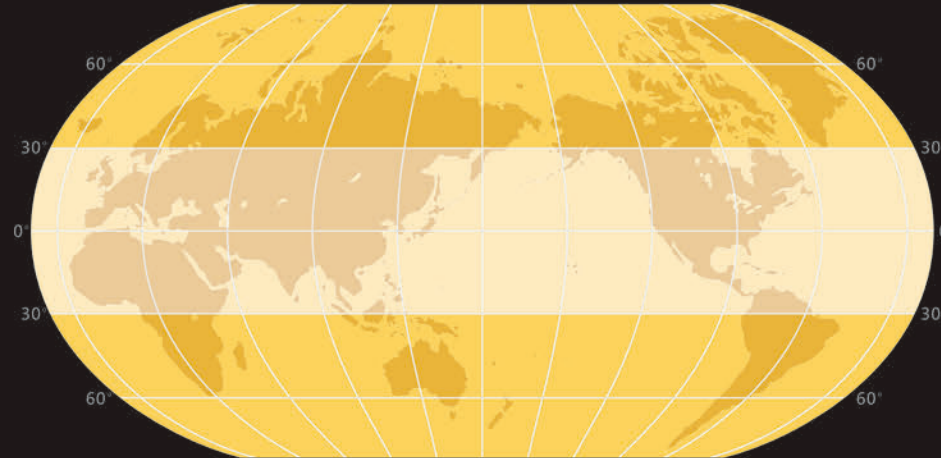


* RSS2-XS标准款前者光源角度不可调节，但RSS2-XS-H经济款前者光源角度可以调节。两款造型后者光源都可以调节。

* RSS2-XS/S/M/L standard version's front light resource can not be adjustable, but the RSS2-XS-H/S-H/M-H/L-H economic version's front light resource can be adjustable. For Back light resource, both of them's beam angle can be adjustable.

针对部分高纬度地区安装，前部光源可调节，保障路面得到正确有效的照射角度。

For High latitude region countries, the front light resource beam angle can be adjustable, to make sure correct and effective lighting on ground.



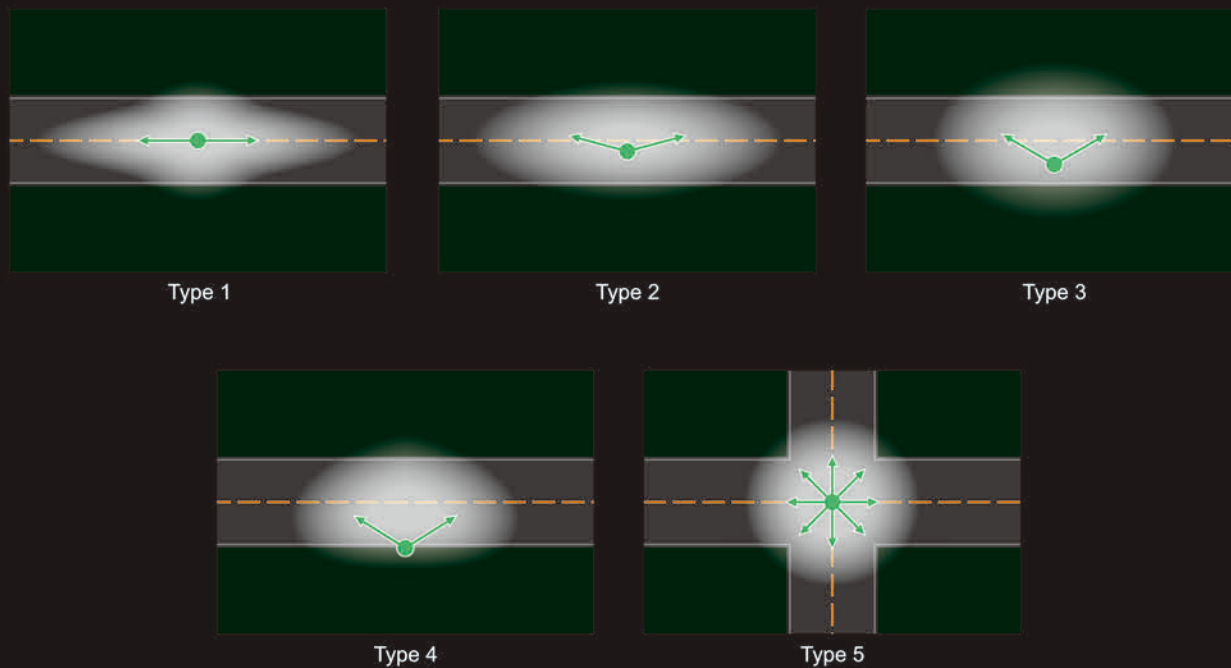
■ 低纬度 (Lower Latitudes) ■ 中高纬度 (Mid-high Latitudes)

RSS2-H款适合中高纬度地区安装，其前部光源可调节，保障路面得到正确有效的照明。

RSS2-H type is more suitable for Mid-high Latitudes region countries' installation, the front light resource beam angle can be adjustable, ensure the road surface is properly and effectively illuminated

多种配光选择，满足各种道路要求。

A variety of light distribution options to meet any kinds of road requirements.



选配双头光源设计，适配一前一后双面道路，兼顾行人行车需求。

Customizable two head light resource design, suitable for front and back multiple road, meet the Driveway and sidewalk's requirement together.

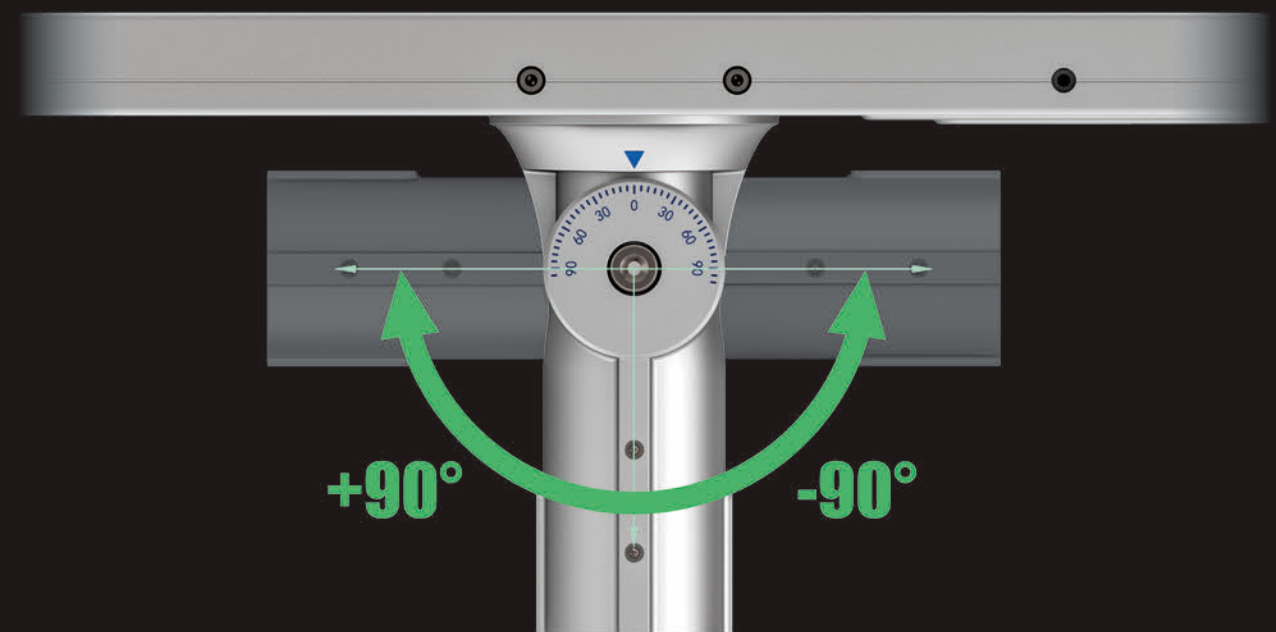


后置光源 Back Light Resource
(仅RSS2-M/L only valid of RSS2-M/L)

前置光源 Front Light Resource

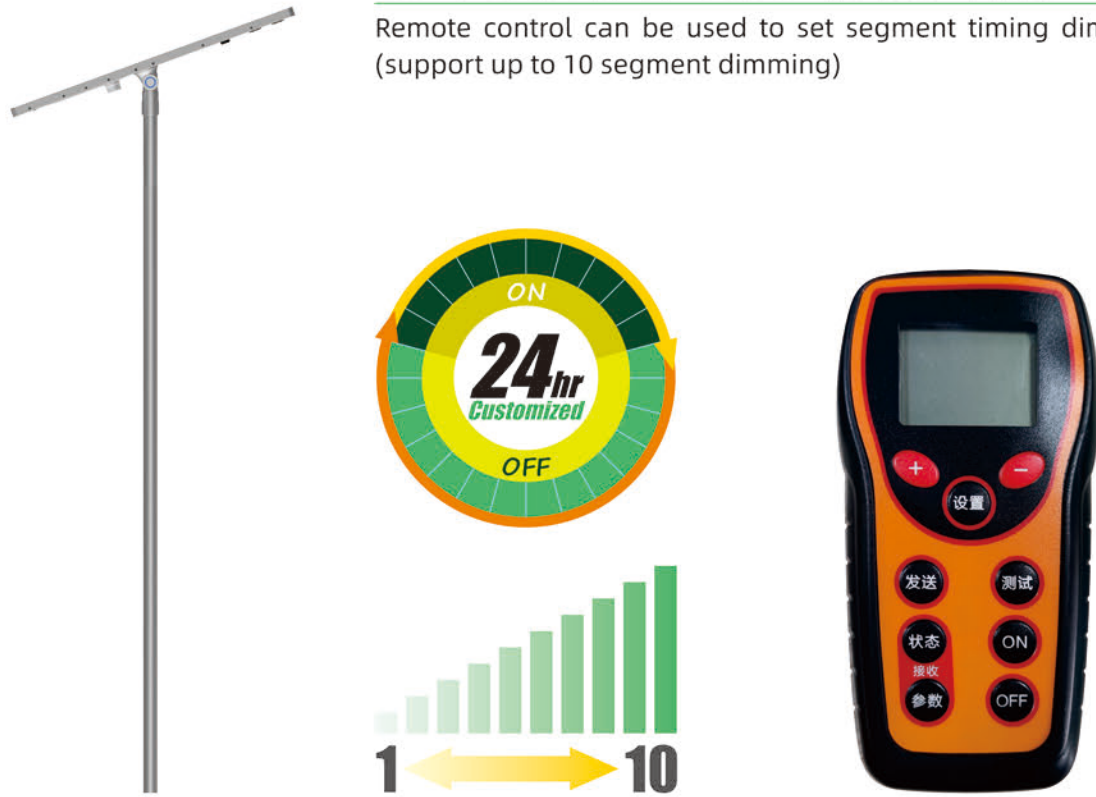
安装支架可调。(可调 -90°~90° 度)

Mounting Bracket Adjustable Angle.



可用远程遥控器进行分段定时调光设置(最大支持10段调光)

Remote control can be used to set segment timing dimming (support up to 10 segment dimming)



搭载摄像头, 进行实时监控。

Equipped with cameras for real-time monitoring.



4G状态监测 (支持手机或电脑多平台操作)

4G status monitoring (support mobile phone or computer multi-platform operation)

- a) 可实时监测到灯具当前工作状态, 如有问题可及时到现场进行维护;
The current working status of the lamp can be monitored in real time, and if there is any problem, you can go to the site for maintenance in time.
- b) 支持远程对灯具分段定时调光设置。
Support remote segmented timing dimming settings for lamps.

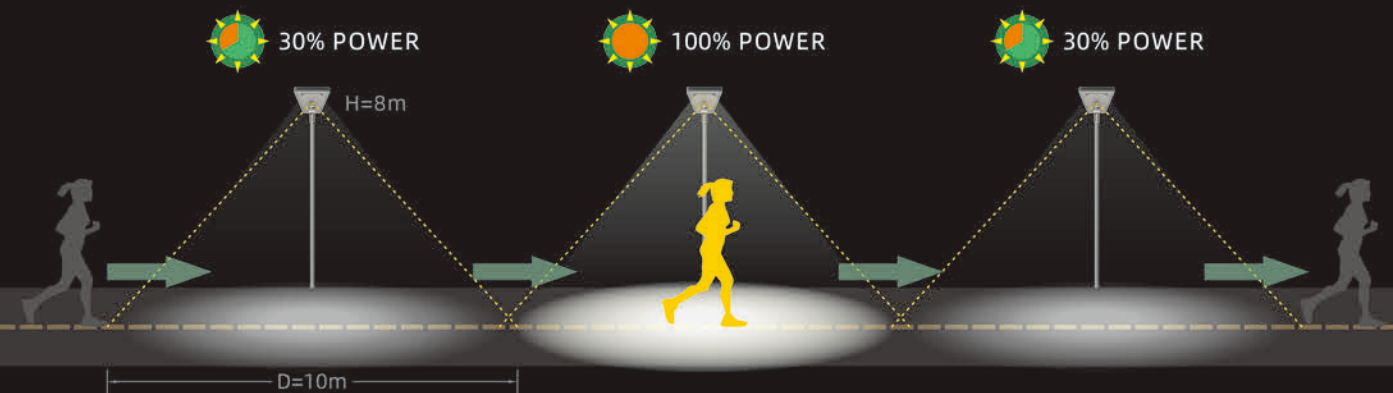


微波感应

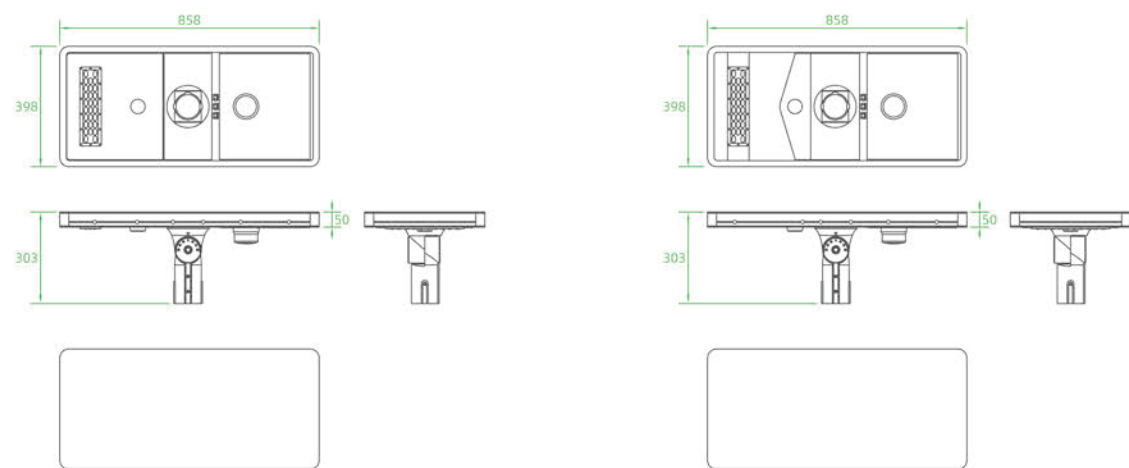
Microwave induction

- a) 人靠近时功率上升, 人离开功率下降;
The power increases when people approach, and the power decreases when people leave.
- b) 可自定义感应生效时间。
The induction effective time can be customized.

Microwave Induction Range 微波感应范围	θ(Angle角度)	H(Height 高度)	D(Width 宽度)
	65°	8m	10m

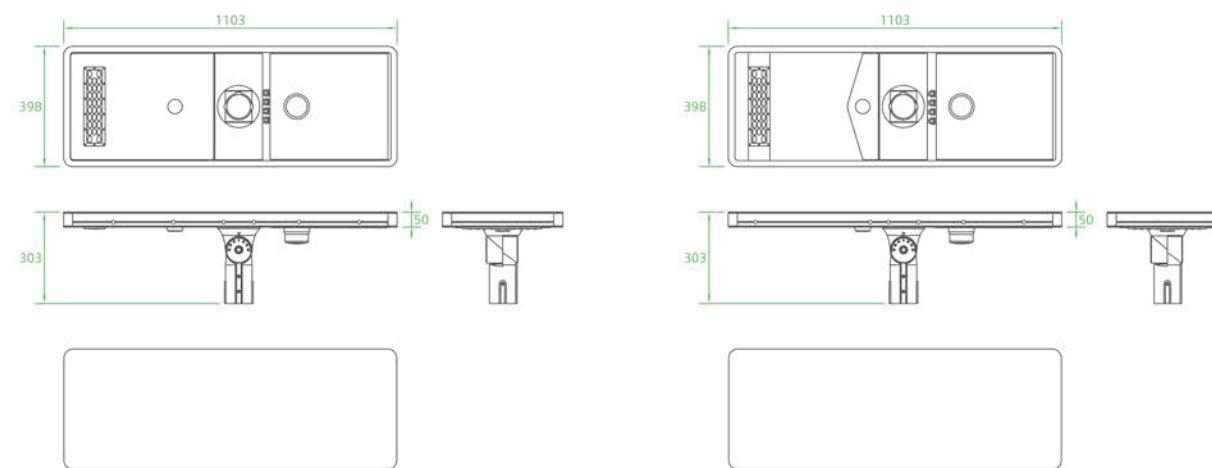


RSS2-XS



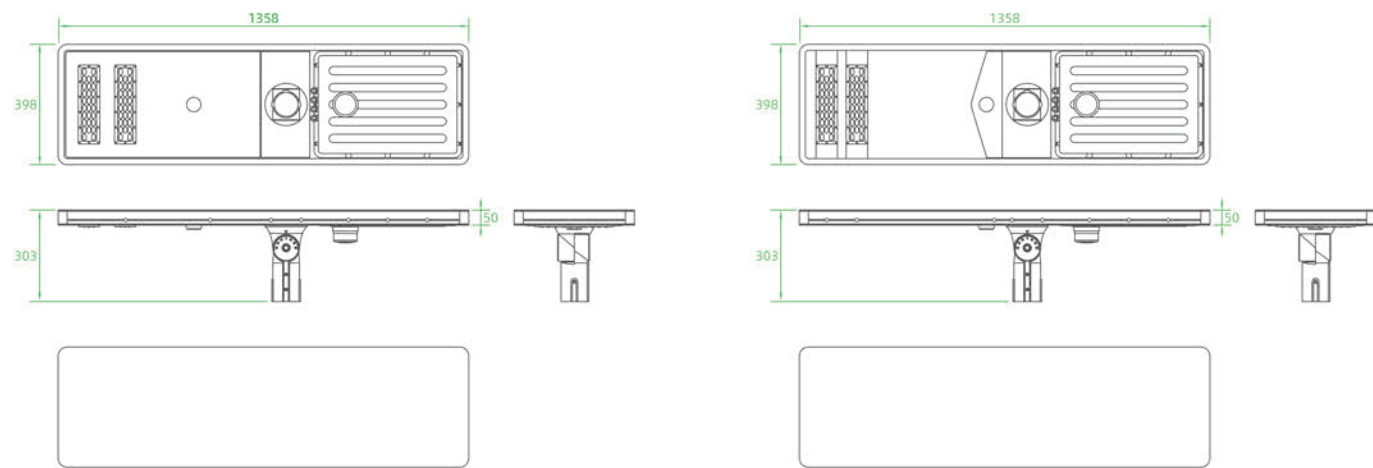
RSS2-XS 858X398mm

RSS2-S



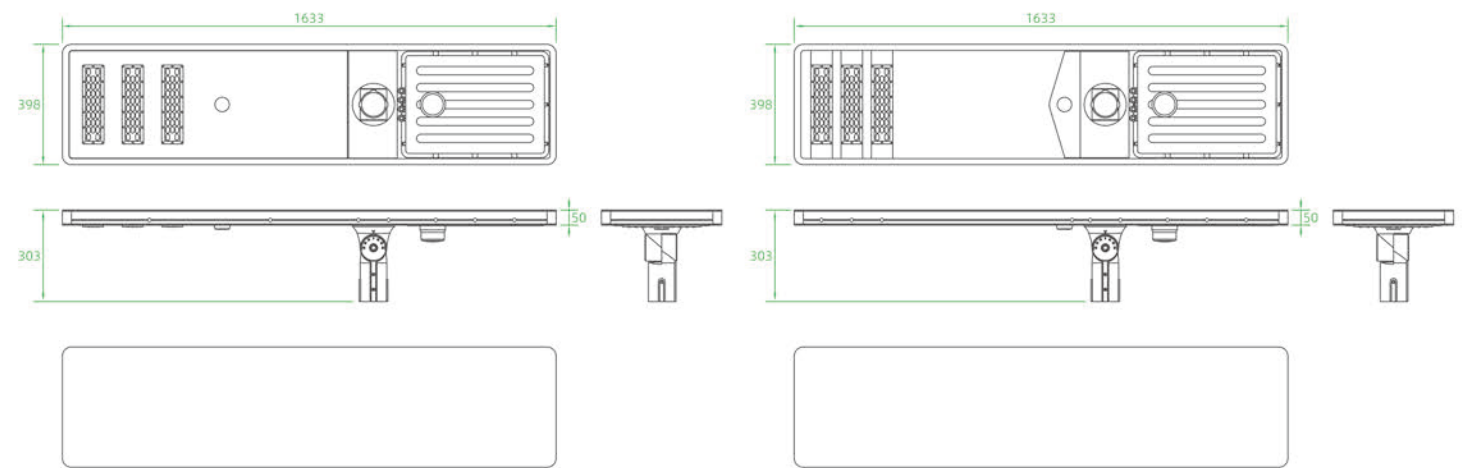
RSS2-S 1103X398mm

RSS2-M



RSS2-M 1358X398mm

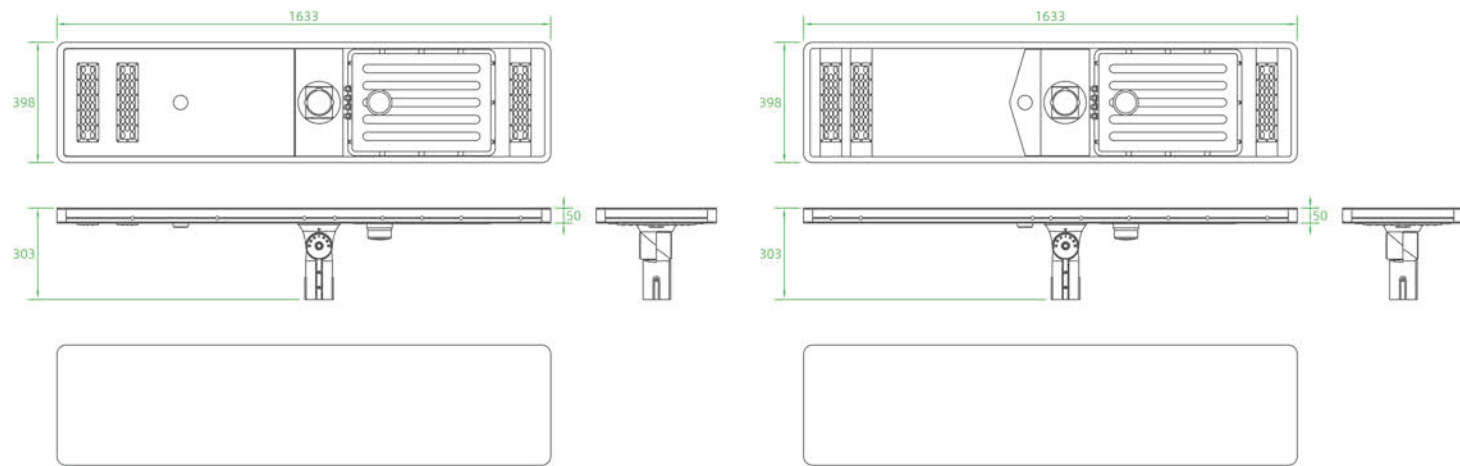
RSS2-L



RSS2-L 1633X398mm



RSS2-M/L 双头 TWO HEAD



RSS2-L 1633X398mm 双头

RSS2 Solar Street Light Technical Data RSS2太阳能路灯技术参数					
Product Code 产品型号	RSS2-XS-028015	RSS2-S-028030	RSS2-M-056045	RSS2-L-084060	
Light Parameters 光源参数					
LED Quantity LED数量	1 × 28	1 × 28	2 × 28	3 × 28	
Light Output (W) 灯具功率	15W	30W	45W	60W	
Module Light Efficiency 模组光效	>180 lm/w				
Color Temperature 色温	3000K/ 4000K/ 5000K				
Optical Distribution 配光	T1/ T2/ T3				
Physical Parameters 性能参数					
Power Of Monocrystal Solar Panel (W) 光伏组件功率	60 W	80 W	100 W	120 W	
LiFePO Battery Capacity (Wh) 磷酸铁锂电池容量	317 Wh	555 Wh	634 Wh	793 Wh	
Standard Sectional Timing Dimmable 标准分段调光功能				√	
RIP Sensor (Optional) 微波感应(选配)				√	
4G Energy Monitor (Optional) 4G能量监测(选配)				√	
Camera Monitor (Optional) 摄像头(选配)				√	
Customized Two Head Light Source (Optional) 定制双头光源(选配)	×		√		
Working model 工作模式	Full power working 4 hours after dusk and then change to sectional timing dimmable mode. 天黑后满功率工作4小时然后进入分段调光模式				
Back Up 备用	2-3 Rainy Days 2-3个阴雨天				
Mounting Recommendations 安装建议					
Top of Pole Diameter (mm) 灯杆顶部直径	76mm (60mm is Optional)				
Mounting Height (m) 安装高度	4-6m				
Mounting Bracket Adjustable Angle 安装支架可调角度	-90°~90°				
Product Mounting Angle 产品安装角度	Suggest combine the latitude of the installation city 建议结合当地安装城市的纬度				
Packing Parameters (① + ②) 包装参数					
①	Standard Type Main Body Package Size (mm) 标准款主体包装尺寸	905×450×115 mm	1150×450×115 mm	1405×450×115 mm	1680×450×115 mm
	Or 4G Monitor Type Main Body Package Size (mm) 或4G监测款主体包装尺寸	905×450×145 mm	1150×450×145 mm	1405×450×145 mm	1680×450×145 mm
	Main Body Weight (KG) 主体重量	18Kg	20Kg	22Kg	30Kg
②	Installation Bracket Package Size (mm) 安装支架包装尺寸	255×130×145 mm			
	Installation Bracket Weight (KG) 安装支架重量	2Kg			
Environment Requirements 环境要求					
Charge Temperature 充电温度	0°C~65°C				
Discharge Temperature 放电温度	-20°C~55°C				
Storage Temperature 存储温度	-20°C~45°C				



- 1 除光源外，所有太阳能板、电池、控制器等部件采用一体化设计，安装方便
Except the light resource, All components included Solar panel, Battery and controller adopt integrated structure design, which easy for installation.
- 2 采用单晶太阳能板，转换效率高达22%，寿命高达25年。
Using Monocrystalline silicon solar panel, the transfer efficiency highest to 22%, lifespan up to 25 years.
- 3 采用A级磷酸铁锂电芯，具备超高一致性，容量充足，使用寿命5年以上。
Using CLASS A level LiFePO4 battery, with high consistency and high battery capacity, ensures lifespan more than 5 years.
- 4 采用先进MPPT控制器，保障最优质的太阳能转换效率降低损耗。
Using advance MPPT controller, ensures high quality solar energy transfer efficiency to reduce the waste.
- 5 可支持多种功能:分段定时调光、光感应、微波感应、4G状态监测、手机APP操控等
Support various functions: Sectional Timing dimmable、Photo sensor、Microwave induction、4G status monitoring、Mobile APP control



RS1-XS/S Solar Street Light Technical Data

RS1-XS/S 太阳能路灯技术参数

Product Code 产品型号	RS1-XS		RS1-S		
	RS1-XS-S016030	RS1-XS-S024060	RS1-S-S016030	RS1-S-S024060	
Light Parameters 光源参数					
LED Quantity LED数量	16	24	16	24	
Light Output (W) 灯具功率	30W	60W	30W	60W	
Module Light Efficiency 模组光效	>130 lm/w				
Input Voltage 输入电压	DC 24V				
Color Temperature 色温	3000K/ 4000K/ 5000K				
Optical Distribution 配光	T1/ T2/ T3/ T4/ T5				
Physical Parameters 性能参数					
Power Of Monocrystal Solar Panel (W) 光伏组件功率	80 W	120 W	80 W	120 W	
LiFePO Battery Capacity (Wh) 磷酸铁锂电池容量	476 Wh	714 Wh	476 Wh	714 Wh	
Standard Sectional Timing Dimmable 标准分段调光功能	√				
Photo Sensor (Optional) 光感应(选配)	√				
RIP Sensor (Optional) 微波感应(选配)	×		√		
4G Energy Monitor (Optional) 4G能量监测(选配)	√				
Working model 工作模式	Full power working 4 hours after dusk and then change to sectional timing dimmable mode. 天黑后满功率工作4小时然后进入分段调光模式				
Back Up 备用	2-3 Rainy Days 2-3个阴雨天				
Mounting Recommendations 安装建议					
Power Module	Top of Pole Diameter (mm) 灯杆顶部直径	76mm (60mm is Optional)			
	Mounting Bracket Adjustable Angle 安装支架可调角度	-90°~90°			
LED Luminaire	Top of Pole Diameter (mm) 灯杆顶部直径	60mm (48mm is Optional)			
	Mounting Bracket Adjustable Angle 安装支架可调角度	-15°~15°			
Mounting Height (m) 安装高度		3-6m			
Product Mounting Angle 产品安装角度		Suggest combine the latitude of the installation city 建议结合当地安装城市的纬度			
Packing Parameters (① + ② + ③) 包装参数					
①	Luminaires Package Size (mm) 灯具包装尺寸	575×270×140 mm		600×285×165 mm	
	Luminaires Grose Weight (KG) 灯具毛重量	3.9KG	4KG	5.2KG	5.4KG
②	Standard Type Main Body Package Size (mm) 标准款主体包装尺寸	1150×450×115 mm	1680×450×115 mm	1150×450×115 mm	1680×450×115 mm
	Or 4G Monitor Type Main Body Package Size (mm) 或4G监测款主体包装尺寸	1150×450×145 mm	1680×450×145 mm	1150×450×145 mm	1680×450×145 mm
	Power Moduel Grose Weight (KG) 能量模组毛重量	19KG	29KG	19KG	29KG
③	Installation Bracket Package Size (mm) 安装支架包装尺寸	255×130×145 mm			
	Installation Bracket Weight (KG) 安装支架重量	2Kg			
Environment Requirements 环境要求					
Charge Temperature 充电温度		0°C~65°C			
Discharge Temperature 放电温度		-20°C~55°C			
Storage Temperature 存储温度		-20°C~45°C			